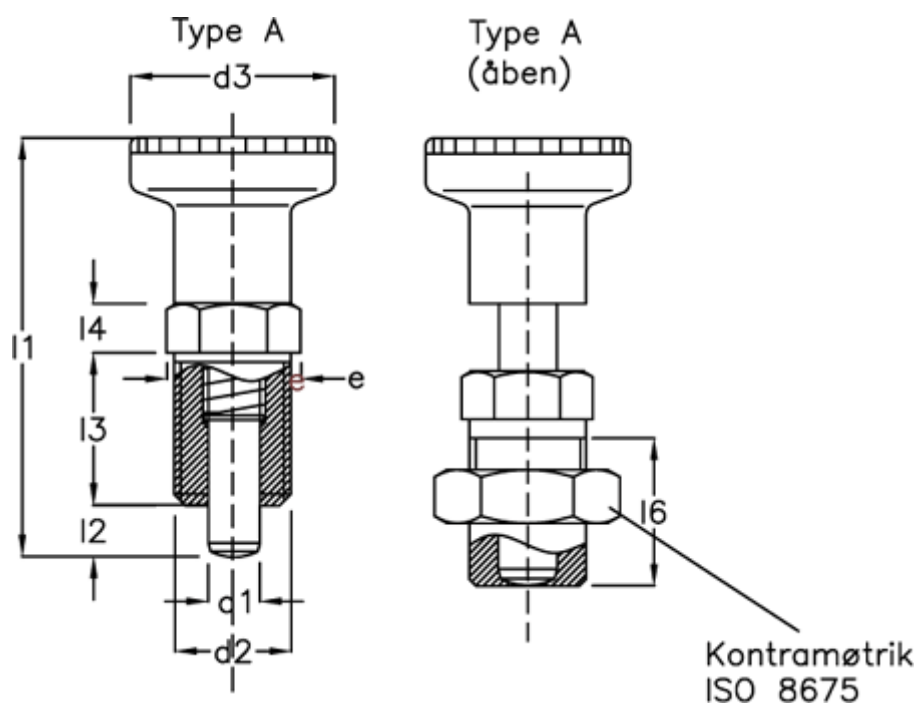


Article number: 206175A

Description: E+G Steel indexing plunger  
GN 617-5-A

## Measures



$d1 = 5$	$l6$	$= 15$
$d2 = M10 \times 1$	NV	$= 12$
$d3 = 21$	Spring pressure N bottom	$= 16$
$e = 13.8$	Spring pressure N top	$= 7.0$
$l1 = 45.0$		
$l2 = 5$		
$l3 = 17$		
$l4 = 5$		